

ZNR-416

16ch SMART NMEA Buffer

Introduction

ZNR-416 is a Smart NMEA buffer has 4 inputs and 16 outputs, and world's first product what is be used as 1 or 2 or 4 units. It is very suitable for where one big Buffer of many output ports, or two or more buffers are required at same time.



Basically, it has following operation modes.

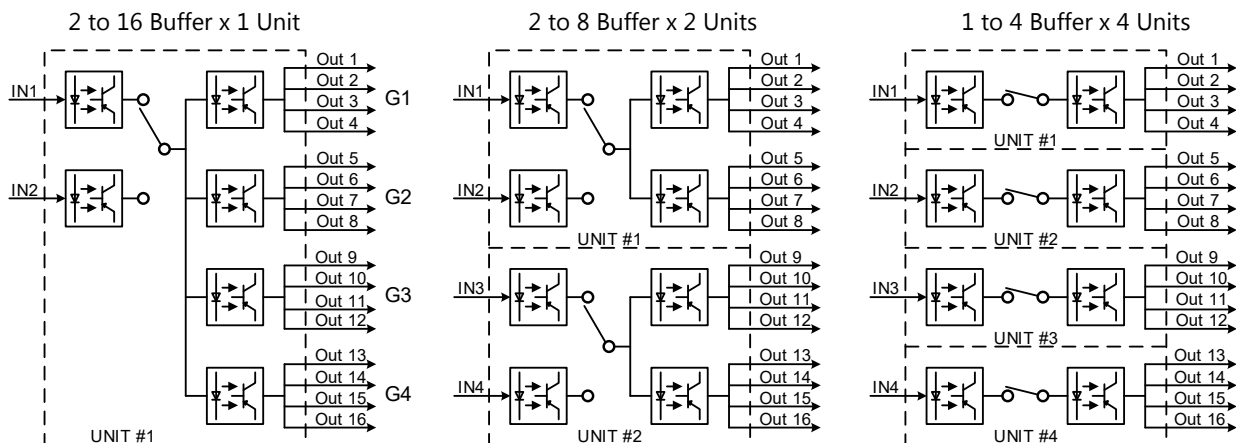
- 1 Unit x 16 Outputs Buffer
- 2 Units x 8 Outputs Buffers
- 4 Units x 4 Outputs Buffers

If one input signal is lost then ZNR-416 selects another input signal automatically (or manually) and it is able to maintain to output without system error.

It was designed for considering high reliability and in accordance with IEC61162-1/2, IEC60945 standard.

Features

1. Three Operation Modes



2. Auto/Manual Input Switching by using External Switch.
3. Auto Baud Rate detection.
4. Supports Input and Output Baud Rate up to 115,200bps.
5. Galvanic Isolation of Each output group, Each input, Main circuits and Input power each other.
6. Selectable one of RS232/RS422/TTL on 8 Output port (Grp#2 and Grp#4, Other 8ch are fixed as RS422).

■ Specifications

Modes	<ul style="list-style-type: none"> - Mode-1 : 1 Unit x 16 Outputs Buffer (2 Inputs) - Mode-2 : 2 Units x 8 Outputs Buffers (Each 2 Inputs) - Mode-3 : 4 Units x 4 Outputs Buffers (Each 1 Input)
Input Signal	<ul style="list-style-type: none"> - 4 Input Ports - Galvanic Isolation. - Supports up to 115,200bps - Selectable Auto/Manual switching by using External Switch. - Selectable Primary/Secondary Input by using External Switch.
Output signal	<ul style="list-style-type: none"> - 16 Output Ports - Galvanic Isolation of Each output group. - Supports up to 115,200bps - 8ch Output Ports support RS232/RS422/TTL Signal (Jumper selectable)
Display	<ul style="list-style-type: none"> - Red LED : Input Power - 4 Green LED : Input Data status of Each Input port
Protection	<ul style="list-style-type: none"> - Input port : Over Voltage Protection (36V 1min) - Output port : Over Current and Surge Voltage Protection - Input Power : Reverse Input and Over Current Protection
Input Power	<ul style="list-style-type: none"> - DC 24V (18 ~ 32V), Approximately 0.5A - Electronic Fuse, No Replacement Required - DC 12V (Option)
Temperature	- -15°C~+55°C (-59°F~131°F)
Dimension/Weight	- 208 x 152 x 46.5 mm / 1.5 kg (7.6 x 5.5 x 1.9 in / 2.2 lb)

■ Remark

- 1) If you need any other specifications, please contact us.
- 2) This specification may be changed without notification.

